



Demonstration

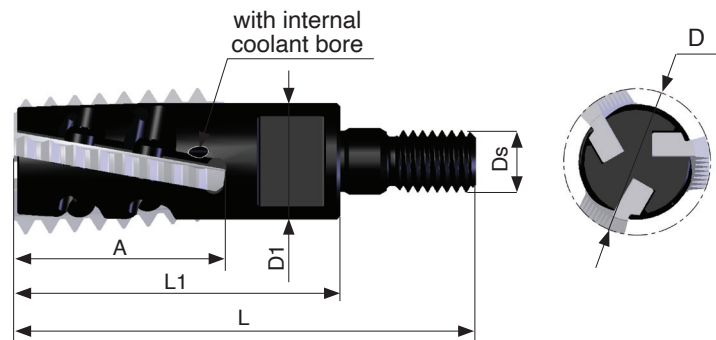
A Modular Line of Mill-Thread Toolholders

| Contents: | Page: |
|-------------|-------|
| Toolholders | 2-4 |
| Extensions | 4 |

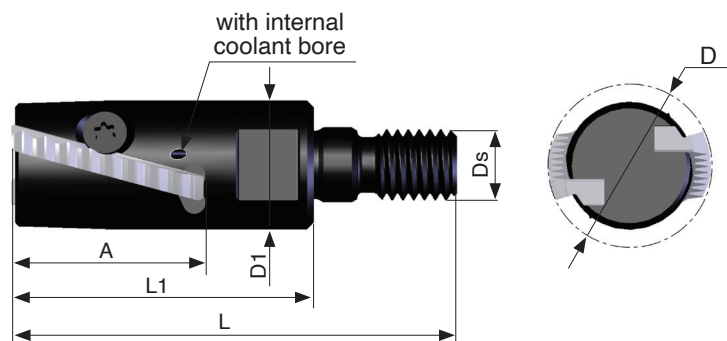
Carmex presents a modular line of Mill-Thread toolholders

- Carmex modular holders are ideal for deep reach applications.
- Unique clamping method enables optimal strength and indexability.
- Cost saving - Same shank can hold different heads.
- Toolholders with internal coolant bore.
- Screw connection allows long overhang.
- Carmex standard thread milling inserts fit these toolholders.
- Different steel extensions are available.
- Toolholders are compatible with common toolholding systems.

Toolholders

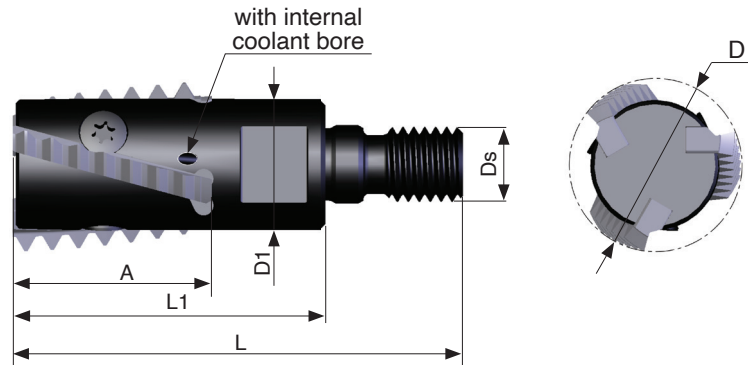


| Ordering Code | Insert Type | Insert size A | D | D1 | Ds | L1 | L | No. of Inserts | Screw | Key |
|-----------------------|-------------|---------------|-----|-----|----|------|------|----------------|-------|-----|
| SR075H19 - 3 S | H19 | 1.06 | .75 | .59 | M8 | 1.67 | 2.36 | 3 | S19 | K16 |

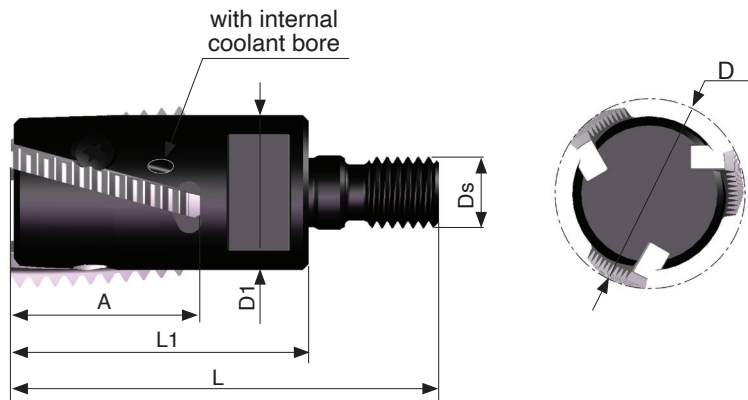


| Ordering Code | Insert Type | Insert size A | D | D1 | Ds | L1 | L | No. of Inserts | Screw | Key |
|-----------------------|-------------|---------------|-----|-----|-----|------|------|----------------|-------|-----|
| SR091H23 - 2 S | H23 | 1.06 | .91 | .71 | M10 | 1.67 | 2.46 | 2 | S23 | K16 |

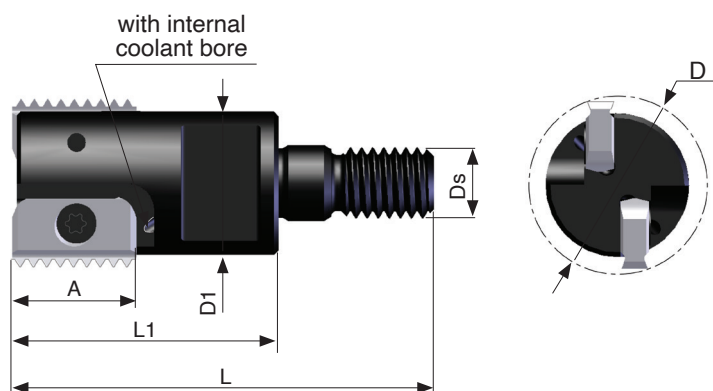
Deep Reach Mill-Thread



| Ordering Code | Insert Type | Insert size A | D | D1 | Ds | L1 | L | No. of Inserts | Screw | Key |
|-----------------------|-------------|---------------|------|-----|-----|------|------|----------------|-------|-----|
| SR110H28 - 3 S | H28 | 1.26 | 1.10 | .83 | M12 | 1.97 | 2.83 | 3 | S28 | K16 |



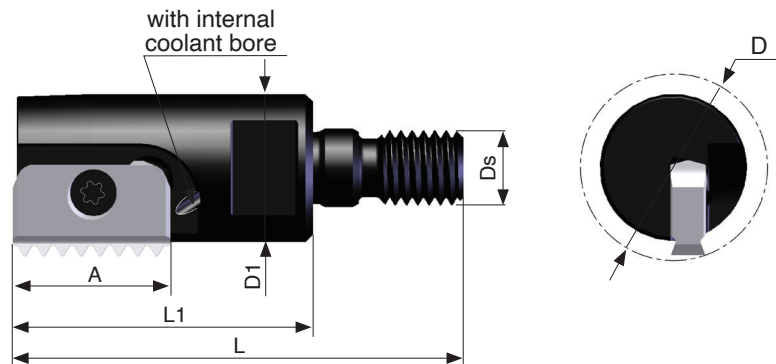
| Ordering Code | Insert Type | Insert size A | D | D1 | Ds | L1 | L | No. of Inserts | Screw | Key |
|-----------------------|-------------|---------------|------|------|-----|------|------|----------------|-------|-----|
| SR126H32 - 3 S | H32 | 1.26 | 1.26 | 1.02 | M12 | 1.97 | 2.83 | 3 | S32S | K16 |



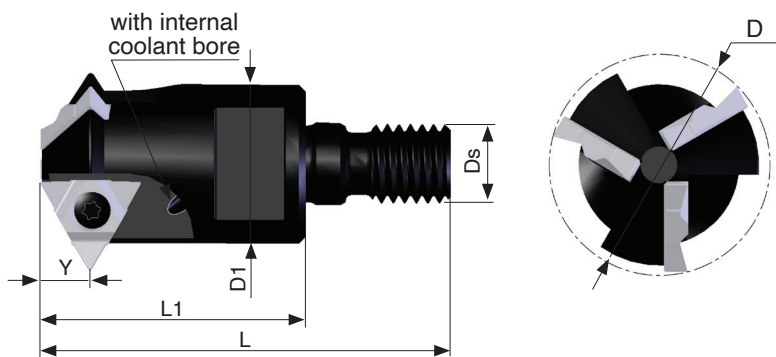
| Ordering Code | Insert Type | Insert size A | D | D1 | Ds | L1 | L | No. of Inserts | Screw | Key |
|------------------------|-------------|---------------|-----|-----|----|------|------|----------------|-------|-----|
| SR0790C14 - 2 S | MT14 | .55 | .79 | .63 | M8 | 1.20 | 1.89 | 2 | S14 | K14 |

B06-3

Toolholders

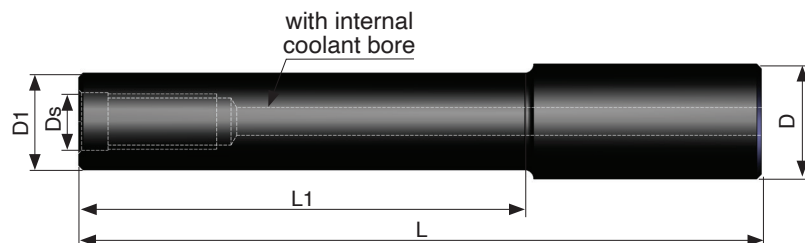


| Ordering Code | Insert Type | Insert size A | D | D1 | Ds | L1 | L | No. of Inserts | Screw | Key |
|------------------------|-------------|---------------|-----|-----|-----|------|------|----------------|-------|-----|
| SR0980D21 - 1 S | MT21 | .826 | .98 | .78 | M10 | 1.57 | 2.36 | 1 | S21 | K21 |



| Ordering Code | Insert Type | Insert size | | Y | D | D1 | Ds | L1 | L | No. of Inserts | Screw | Key |
|-------------------------|-------------|-------------|------|-----|------|-----|-----|------|------|----------------|-------|-----|
| | | L | I.C. | | | | | | | | | |
| SR1300D16U - 3 S | 16U | 16U | 3/8U | .30 | 1.30 | .94 | M12 | 1.57 | 2.44 | 3 | S16S | K16 |

Extensions



| Ordering Code | D | D1 | Ds | L | L1 |
|------------------------|------|-----|-----|------|------|
| E.625 M08 L3.15 | .625 | .59 | M08 | 3.15 | 1.18 |
| E.75 M10 L3.15 | .75 | .71 | M10 | 3.15 | 1.18 |
| E.75 M10 L5.0 | .75 | .71 | M10 | 5.0 | 3.15 |
| E1 M12 L4.0 | 1.0 | .83 | M12 | 4.0 | 2.0 |
| E1 M12 L6.0 | 1.0 | .83 | M12 | 6.0 | 4.0 |