

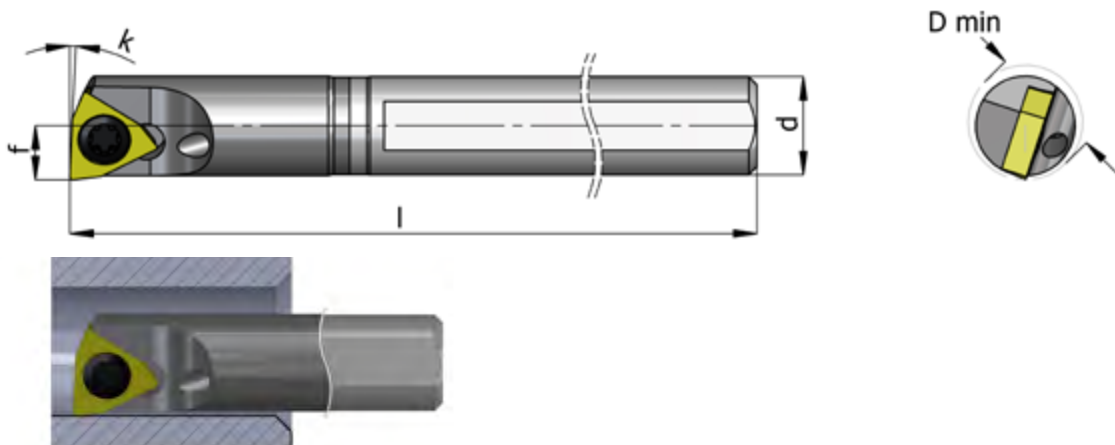
Contents:	Page:	Contents:	Page:
Carbide Shank Turning Toolholder	2	Boring bar, SDUCR/L type Lead angle $k=3^\circ$	4
Boring bar, SWUBR/L type Lead angle $k=3^\circ$ and Inserts	2	Boring bar, STFPR/L type Lead angle $k=1^\circ$	5
Boring bar, SCLCR/L type Lead angle $k=5^\circ$	3		

Carbide Shank Turning Toolholder

High performance Carbide Shank turning toolholders for internal machining from 6 mm (.236") minimum diameter and larger.

- Unique Carbide type for high rigidity
- Cylindrical shank
- Internal coolant supply to the cutting edge
- Screw clamping design

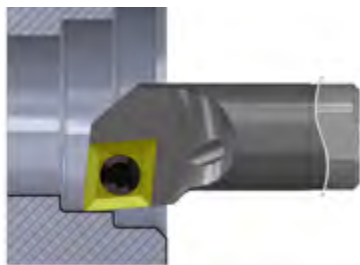
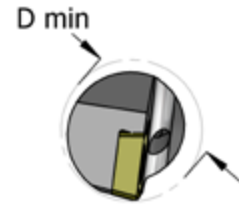
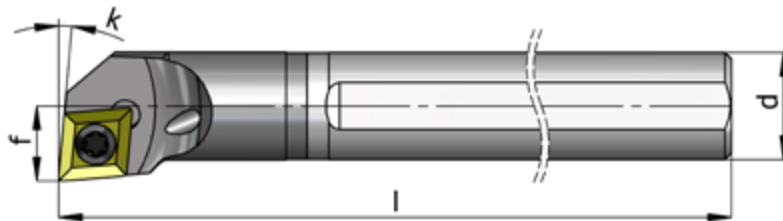
Boring bar, SWUBR/L type Lead angle $k=3^\circ$ and Inserts



Ordering Code	R. Hand L. Hand	d	Min Bore Dia	l	f	k	Insert Screw	Torx Key	Insert
E06H SWUBR-06 <i>*(SIR 0006 H06CT)</i>	R	6	6.5	100	3.2	3°	S06	K06	WBMT 06 01 02L <i>*(06 IR TURN BMA)</i>
E06H SWUBL-06	L	6	6.5	100	3.2	3°	S06	K06	WBMT 06 01 02R <i>*(06 IL TURN BMA)</i>
E08K SWUBR-06 <i>*(SIR 0008 K06CT)</i>	R	8	8.6	125	4.2	3°	S06	K06	WBMT 06 01 02L <i>*(06 IR TURN BMA)</i>
E08K SWUBL-06	L	8	8.6	125	4.2	3°	S06	K06	WBMT 06 01 02R <i>*(06 IL TURN BMA)</i>
E10M SWUBR-06 <i>*(SIR 0010 M06CT)</i>	R	10	11.0	150	5.5	3°	S06	K06	WBMT 06 01 02L <i>*(06 IR TURN BMA)</i>
E10M SWUBL-06	L	10	11.0	150	5.5	3°	S06	K06	WBMT 06 01 02R <i>*(06 IL TURN BMA)</i>

*Old item description

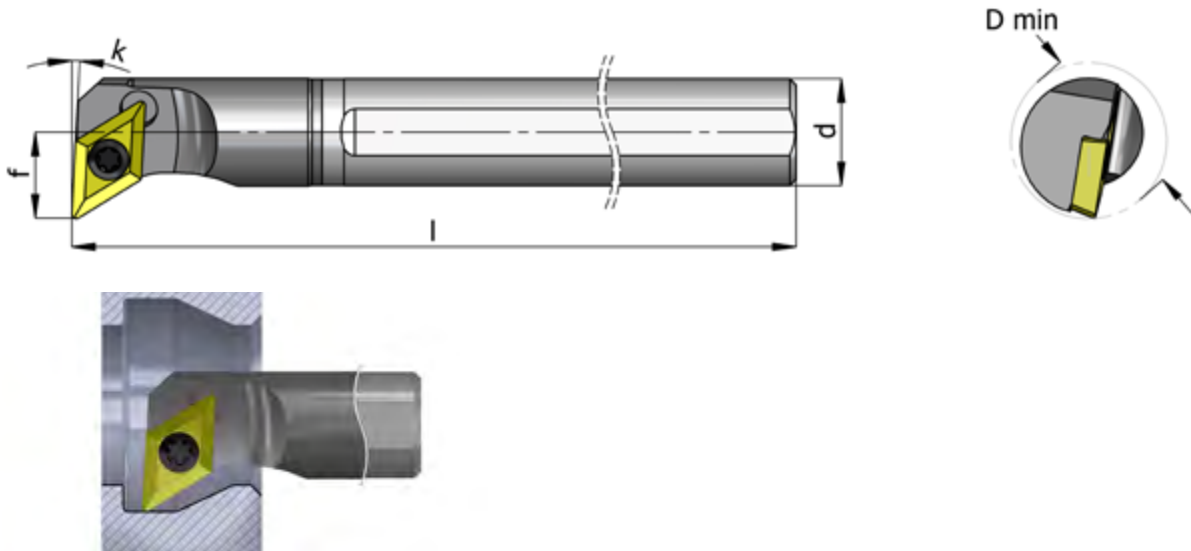
Boring bar, SCLCR/L type Lead angle $k=5^\circ$



Ordering Code	R. Hand L. Hand	d	Min Bore Dia	l	f	k	Insert Screw	Torx Key	Insert*
E08K SCLCR-06	R	8	10.0	125	4.9	5°	S09	K07	CCMT 06 02 04
E08K SCLCL-06	L	8	10.0	125	4.9	5°	S09	K07	CCMT 06 02 04
E10M SCLCR-06	R	10	14.0	150	6.9	5°	S09	K07	CCMT 06 02 04
E10M SCLCL-06	L	10	14.0	150	6.9	5°	S09	K07	CCMT 06 02 04
E12P SCLCR-06	R	12	16.0	170	8.9	5°	S09	K07	CCMT 06 02 04
E12P SCLCL-06	L	12	16.0	170	8.9	5°	S09	K07	CCMT 06 02 04
E16R SCLCR-06	R	16	20.0	200	10.9	5°	S09	K07	CCMT 06 02 04
E16R SCLCL-06	L	16	20.0	200	10.9	5°	S09	K07	CCMT 06 02 04
E16R SCLCR-09	R	16	20.0	200	10.9	5°	S20	K22	CCMT 09 T3 08
E16R SCLCL-09	L	16	20.0	200	10.9	5°	S20	K22	CCMT 09 T3 08

*Carmex doesn't offer the inserts

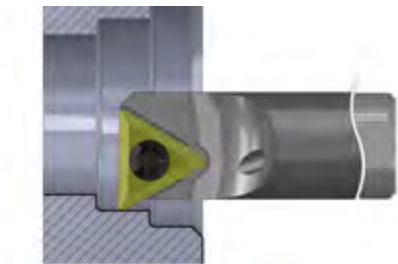
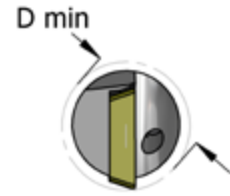
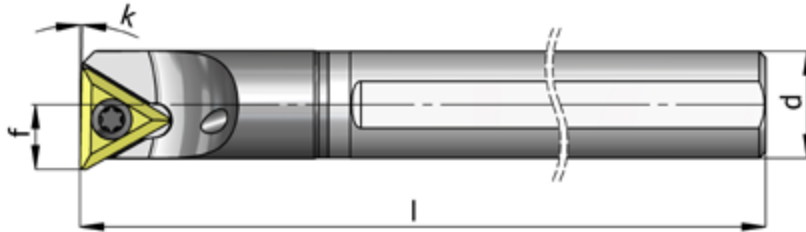
Boring bar, SDUCR/L type Lead angle $k=3^\circ$



Ordering Code	R. Hand L. Hand	d	Min Bore Dia	l	f	k	Insert Screw	Torx Key	Insert*
E10M SDUCR-07	R	10	14.0	150	7.9	3°	S09	K07	DCMT 07 02 04
E10M SDUCL-07	L	10	14.0	150	7.9	3°	S09	K07	DCMT 07 02 04
E12P SDUCR-07	R	12	16.0	170	8.9	3°	S09	K07	DCMT 07 02 04
E12P SDUCL-07	L	12	16.0	170	8.9	3°	S09	K07	DCMT 07 02 04
E16R SDUCR-07	R	16	20.0	200	10.9	3°	S09	K07	DCMT 07 02 04
E16R SDUCL-07	L	16	20.0	200	10.9	3°	S09	K07	DCMT 07 02 04

*Carmex doesn't offer the inserts

Boring bar, *STFPR/L type* Lead angle $k=1^\circ$



Ordering Code	R. Hand L. Hand	d	Min Bore Dia	l	f	k	Insert Screw	Torx Key	Insert*
E10M STFPR-11	R	10	11.0	150	5.9	1°	S18	K07	TPGB 11 03 04
E10M STFPL-11	L	10	11.0	150	5.9	1°	S18	K07	TPGB 11 03 04
E12P STFPR-11	R	12	14.0	170	6.9	1°	S18	K07	TPGB 11 03 04
E12P STFPL-11	L	12	14.0	170	6.9	1°	S18	K07	TPGB 11 03 04

*Carmex doesn't offer the inserts