

Double Sided Thread Turning Inserts



A unique line of 2 sided inserts including 6 cutting edges, a cost saving tool.

Advantages of DSI-Thread Turning Inserts

- Increased productivity thanks to the six cutting edges.
- U Style inserts for a wide range of full or partial profile standard threads.
- Same insert for right hand or left hand thread.
- Saving on tooling costs.
- Unique anti-vibration anvil design for clamping the insert and supporting the cutting edge.
- Simple insert's mounting and cutting edge indexing.
- Heavy duty toolholders designed specially for this line.

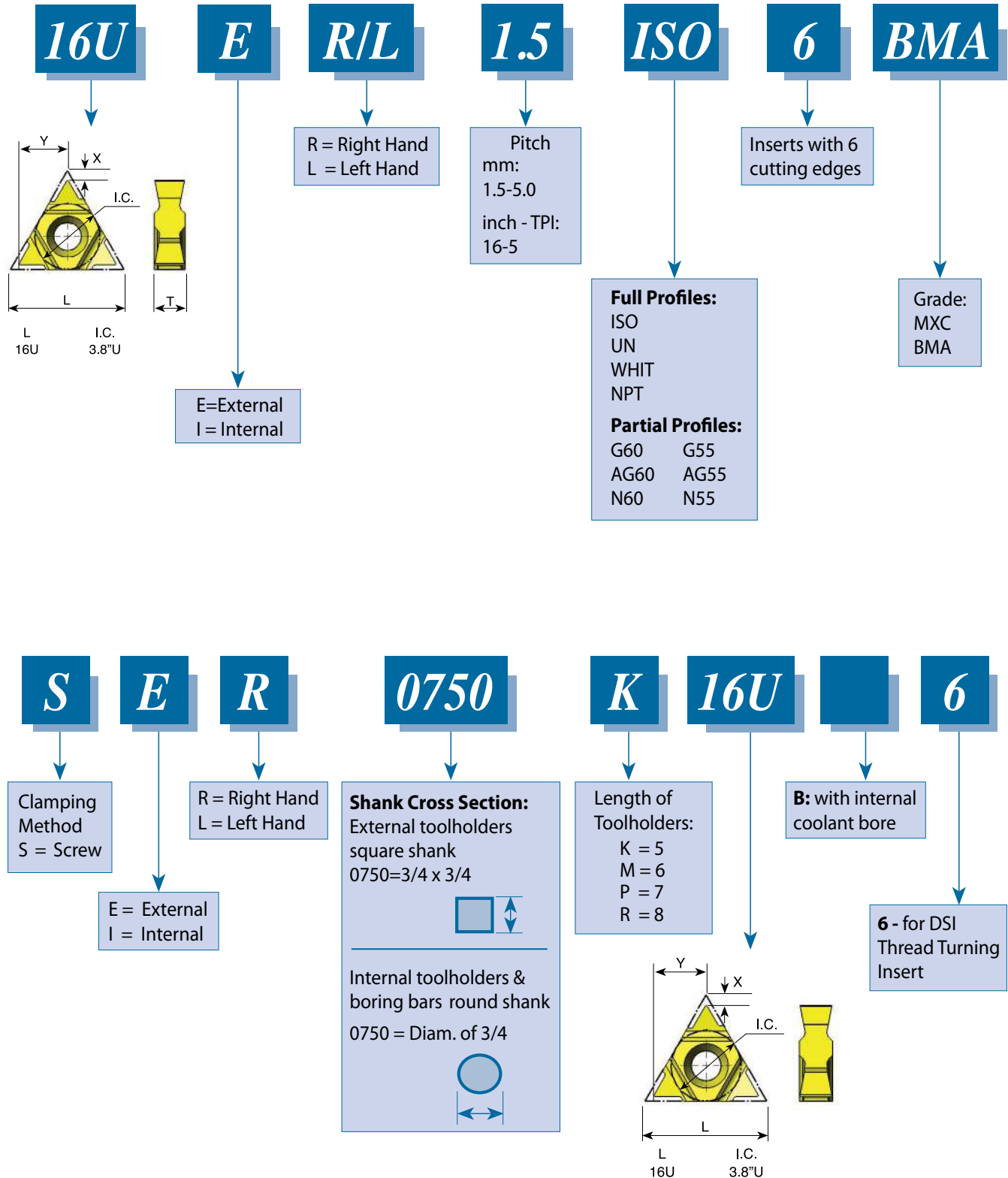
Contents:

Page:

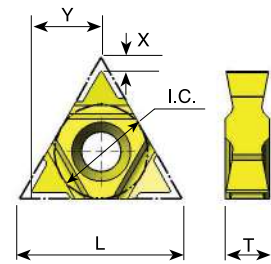
Product Identification	60
Partial Profile 60°	61
Partial Profile 55°	61
ISO	62
UN	62
WHITWORTH 55°	63
NPT	63
Thread Turning Toolholder - External	64
Thread Turning Toolholder - Internal	64

Product Identification

DSI Ordering Code



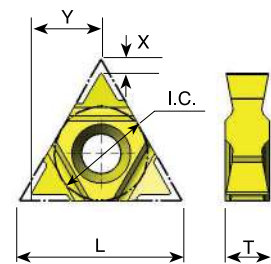
Partial Profile 60°



Pitch Range mm	Pitch Range TPI	L mm	I.C.	EXTERNAL Ordering Code	INTERNAL Ordering Code	X	Y	T
1.75 - 3.0	14-8	16U	3/8U	16U ER/L G60-6	16U IR/L G60-6	.06	.28	.18
0.5 - 3.0	48-8	16U	3/8U	16U ER/L AG60-6	16U IR/L AG60-6	.06	.28	.18
3.5 - 5.0	7-5	16U	3/8U	16U ER/L N60-6	16U IR/L N60-6	.05	.29	.18

Available coating grades: BMA or MXC

Partial Profile 55°

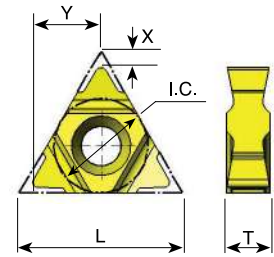


Pitch Range mm	Pitch Range TPI	L mm	I.C.	EXTERNAL Ordering Code	INTERNAL Ordering Code	X	Y	T
1.75 - 3.0	14-8	16U	3/8U	16U ER/L G55-6	16U IR/L G55-6	.06	.28	.18
0.5 - 3.0	48-8	16U	3/8U	16U ER/L AG55-6	16U IR/L AG55-6	.06	.28	.18
3.5 - 5.0	7-5	16U	3/8U	16U ER/L N55-6	16U IR/L N55-6	.05	.29	.18

Available coating grades: BMA or MXC

For Carbide Grade and Cutting Speed see page 66-67

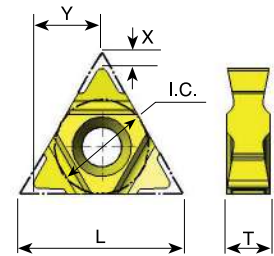
ISO



Pitch mm	L mm	I.C.	EXTERNAL Ordering Code	INTERNAL Ordering Code	X	Y	T
1.5	16U	3/8U	16U ER/L 1.5 ISO-6	16U IR/L 1.5 ISO-6	.06	.27	.18
1.75	16U	3/8U	16U ER/L 1.75 ISO-6	16U IR/L 1.75 ISO-6	.06	.27	.18
2.0	16U	3/8U	16U ER/L 2.0 ISO-6	16U IR/L 2.0 ISO-6	.06	.27	.18
2.5	16U	3/8U	16U ER/L 2.5 ISO-6	16U IR/L 2.5 ISO-6	.06	.27	.18
3.0	16U	3/8U	16U ER/L 3.0 ISO-6	16U IR/L 3.0 ISO-6	.06	.27	.18
3.5	16U	3/8U	16U ER/L 3.5 ISO-6	16U IR/L 3.5 ISO-6	.06	.27	.18
4.0	16U	3/8U	16U ER/L 4.0 ISO-6	16U IR/L 4.0 ISO-6	.06	.27	.18
4.5	16U	3/8U	16U ER/L 4.5 ISO-6	16U IR/L 4.5 ISO-6	.06	.27	.18
5.0	16U	3/8U	16U ER/L 5.0 ISO-6	16U IR/L 5.0 ISO-6	.06	.27	.18

Available coating grades: BMA or MXC

UN - Unified **UNC, UNF, UNEF, UNS**

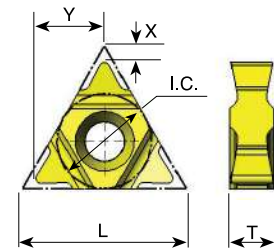


Pitch TPI	L mm	I.C.	EXTERNAL Ordering Code	INTERNAL Ordering Code	X	Y	T
16	16U	3/8U	16U ER/L 16 UN-6	16U IR/L 16 UN-6	.06	.27	.18
14	16U	3/8U	16U ER/L 14 UN-6	16U IR/L 14 UN-6	.06	.27	.18
13	16U	3/8U	16U ER/L 13 UN-6	16U IR/L 13 UN-6	.06	.27	.18
12	16U	3/8U	16U ER/L 12 UN-6	16U IR/L 12 UN-6	.06	.27	.18
11.5	16U	3/8U	16U ER/L 11.5 UN-6	16U IR/L 11.5 UN-6	.06	.27	.18
11	16U	3/8U	16U ER/L 11 UN-6	16U IR/L 11 UN-6	.06	.27	.18
10	16U	3/8U	16U ER/L 10 UN-6	16U IR/L 10 UN-6	.06	.27	.18
9	16U	3/8U	16U ER/L 9 UN-6	16U IR/L 9 UN-6	.06	.27	.18
8	16U	3/8U	16U ER/L 8 UN-6	16U IR/L 8 UN-6	.06	.27	.18
7	16U	3/8U	16U ER/L 7 UN-6	16U IR/L 7 UN-6	.06	.27	.18
6	16U	3/8U	16U ER/L 6 UN-6	16U IR/L 6 UN-6	.06	.27	.18
5	16U	3/8U	16U ER/L 5 UN-6	16U IR/L 5 UN-6	.06	.27	.18

Available coating grades: BMA or MXC

For Carbide Grade and Cutting Speed see page 66-67

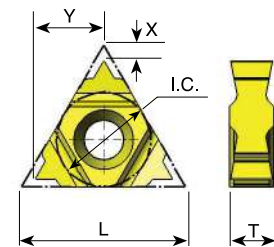
Whitworth 55° BSW, BSF, BSP, BSB



Pitch TPI	L mm	I.C.	EXTERNAL Ordering Code	INTERNAL Ordering Code	X	Y	T
16	16U	3/8U	16U ER/L 16 W-6	16U IR/L 16 W-6	.06	.27	.18
14	16U	3/8U	16U ER/L 14 W-6	16U IR/L 14 W-6	.06	.27	.18
12	16U	3/8U	16U ER/L 12 W-6	16U IR/L 12 W-6	.06	.27	.18
11	16U	3/8U	16U ER/L 11 W-6	16U IR/L 11 W-6	.06	.27	.18
10	16U	3/8U	16U ER/L 10 W-6	16U IR/L 10 W-6	.06	.27	.18
9	16U	3/8U	16U ER/L 9 W-6	16U IR/L 9 W-6	.06	.27	.18
8	16U	3/8U	16U ER/L 8 W-6	16U IR/L 8 W-6	.06	.27	.18
7	16U	3/8U	16U ER/L 7 W-6	16U IR/L 7 W-6	.06	.27	.18
6	16U	3/8U	16U ER/L 6 W-6	16U IR/L 6 W-6	.06	.27	.18
5	16U	3/8U	16U ER/L 5 W-6	16U IR/L 5 W-6	.06	.27	.18

Available coating grades: BMA or MXC

NPT

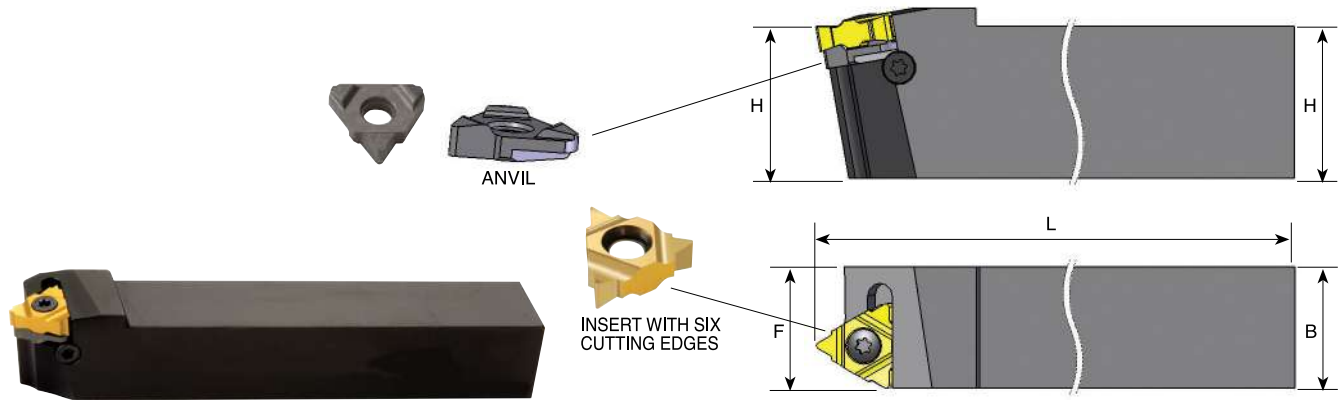


Pitch TPI	L mm	I.C.	EXTERNAL Ordering Code	INTERNAL Ordering Code	X	Y	T
14	16U	3/8U	16U ER/L 14 NPT-6	16U IR/L 14 NPT-6	.06	.27	.18
11.5	16U	3/8U	16U ER/L 11.5 NPT-6	16U IR/L 11.5 NPT-6	.06	.27	.18
8	16U	3/8U	16U ER/L 8 NPT-6	16U IR/L 8 NPT-6	.06	.27	.18

Available coating grades: BMA or MXC
For Carbide Grade and Cutting Speed see page 66-67

Heavy Duty Thread Turning Toolholders

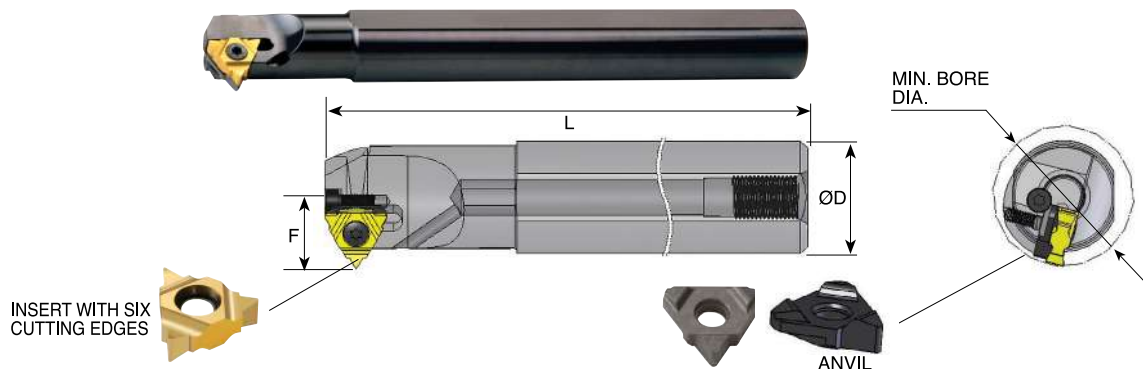
External



Ordering Code Right Hand	H	B	L	F	Insert Screw	Anvil Screw	Torx Key	RH Anvil	LH Anvil
SER 0750 K16U-6	0.75	0.75	5	0.75	S16	A16	K16	AER 16U-6	AEL 16U-6
SER 1079 M16U-6	1.0	0.79	6	0.79	S16	A16	K16	AER 16U-6	AEL 16U-6

For **LEFT HAND** toolholders specify **SEL** instead of **SER**

Internal with Coolant Bore



Ordering Code Right Hand	ØD	Min. bore dia.	L	F	Insert Screw	Anvil Screw	Torx Key	RH Anvil	LH Anvil
SIR 0750 P16UB-6	0.75	0.94	7	0.57	S16	A16	K16	AIR 16U-6	AIL 16U-6
SIR 1000 R16UB-6	1.0	1.14	8	0.69	S16	A16	K16	AIR 16U-6	AIL 16U-6

For **LEFT HAND** toolholders specify **SIL** instead of **SIR**